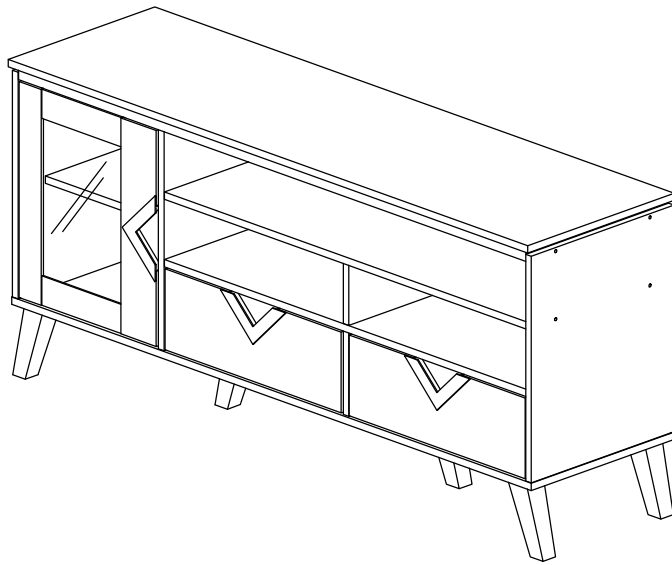
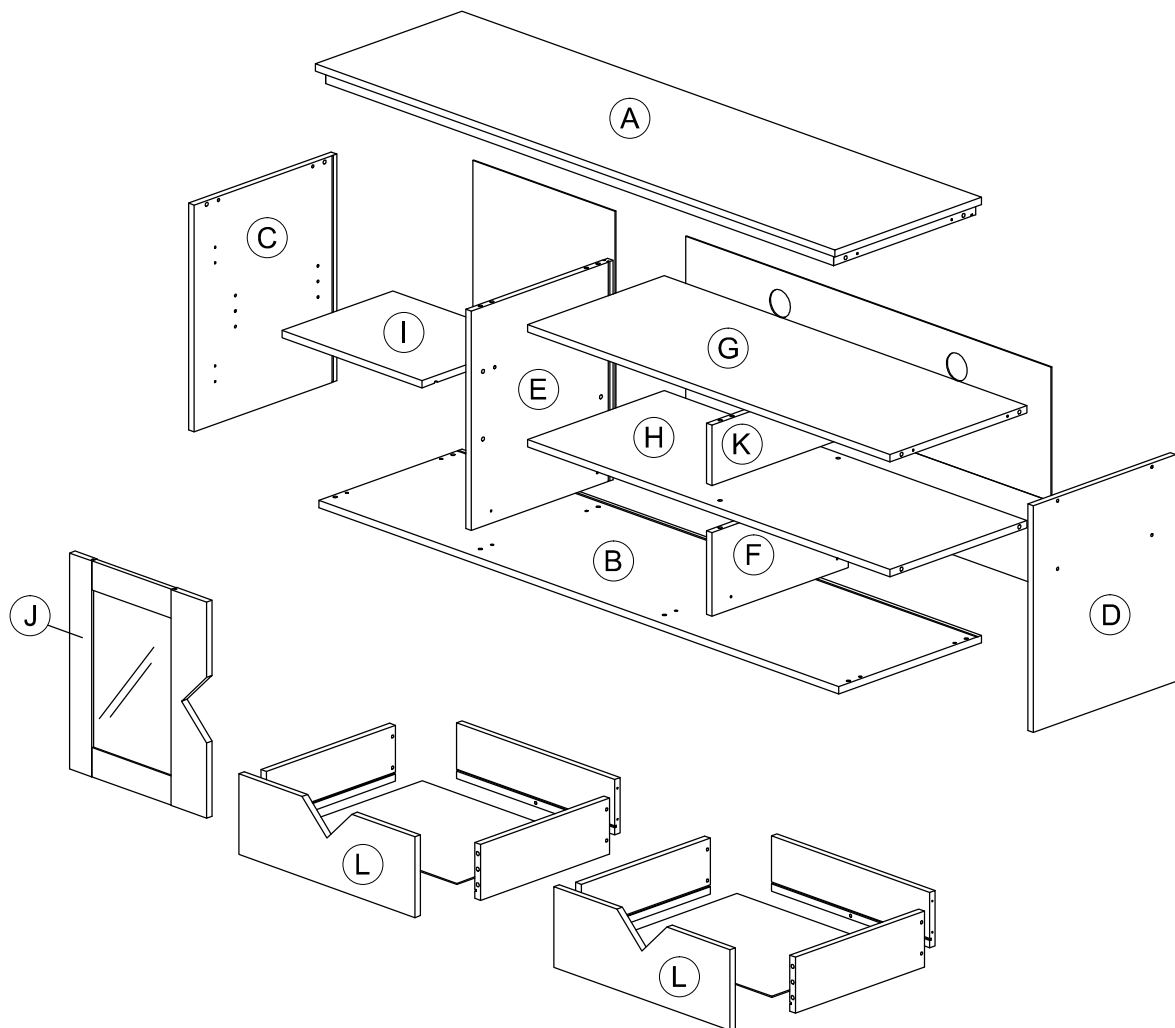


Assembly Instruction

Model : WI7560



PART LIST

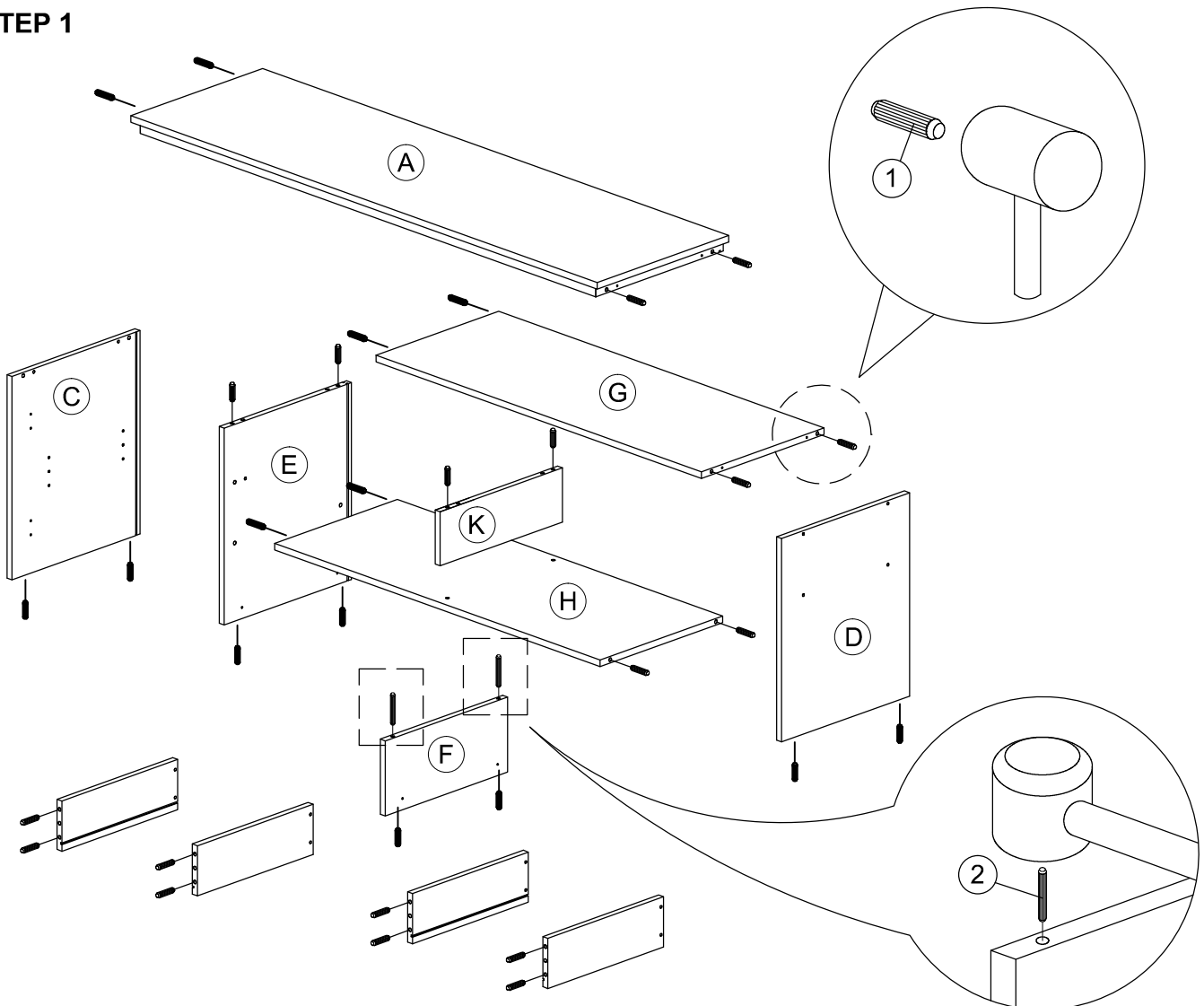


Assembly Instruction

<i>Hardware List</i>			
No.	SHAPE	DESCRIPTION	Qty.
1		8x25mm Wood Dowel	32Pcs
2		8x50mm Wood Dowel	2Pcs
3		15MM Myfix Minifix	10Sets
4		M3.5x15mm Screw	41Pcs
5		M5x8mm Screw (Euro Screw)	8Pcs
6		TP 10#x1/2" Screw	8Pcs
7		M4x38mm Screw	10Pcs
8		M5x38mm Screw	16Pcs
9		15mm Minifix Cap	6Pcs
10		Screw Cap	6Pcs

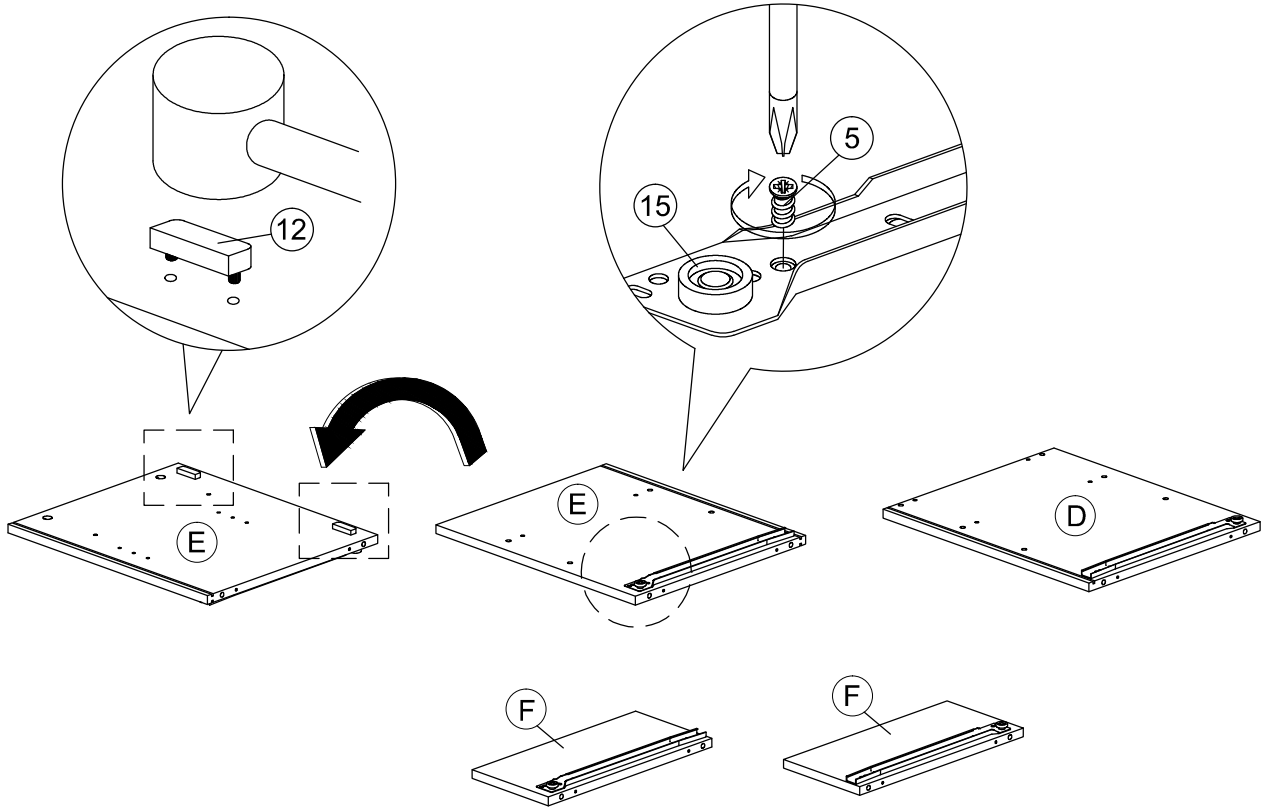
11		Shelf Support	4Pcs
12		2 Pin Stopper	2Pcs
13		Nail	14Pcs
14		Hinges (F010)	2Sets
15		Metal Drawer Slide 14" (350mm)	2 Sets
16		OS-V Handle	3 Pcs
17		OS-140mm H - Plastic Leg	6 Pcs

STEP 1

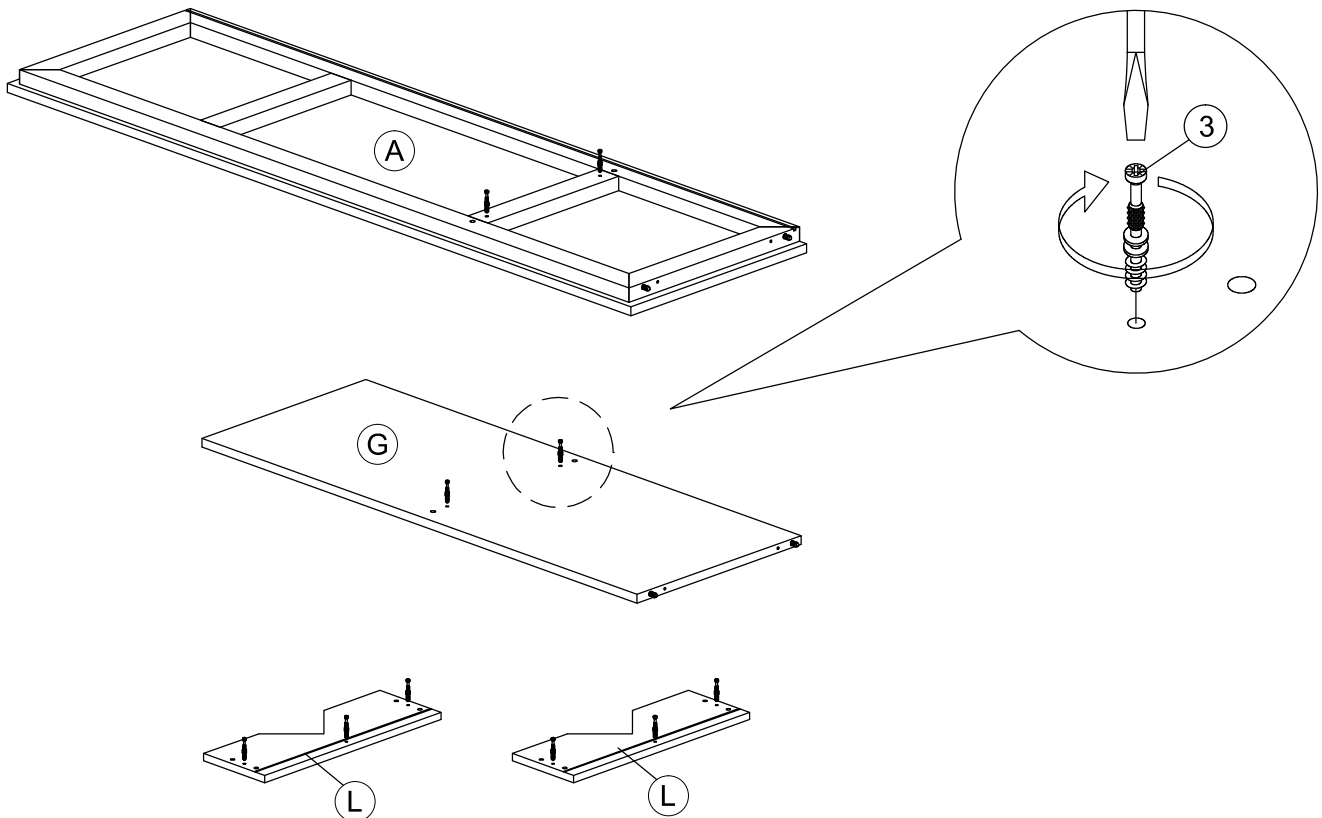


Assembly Instruction

STEP 2

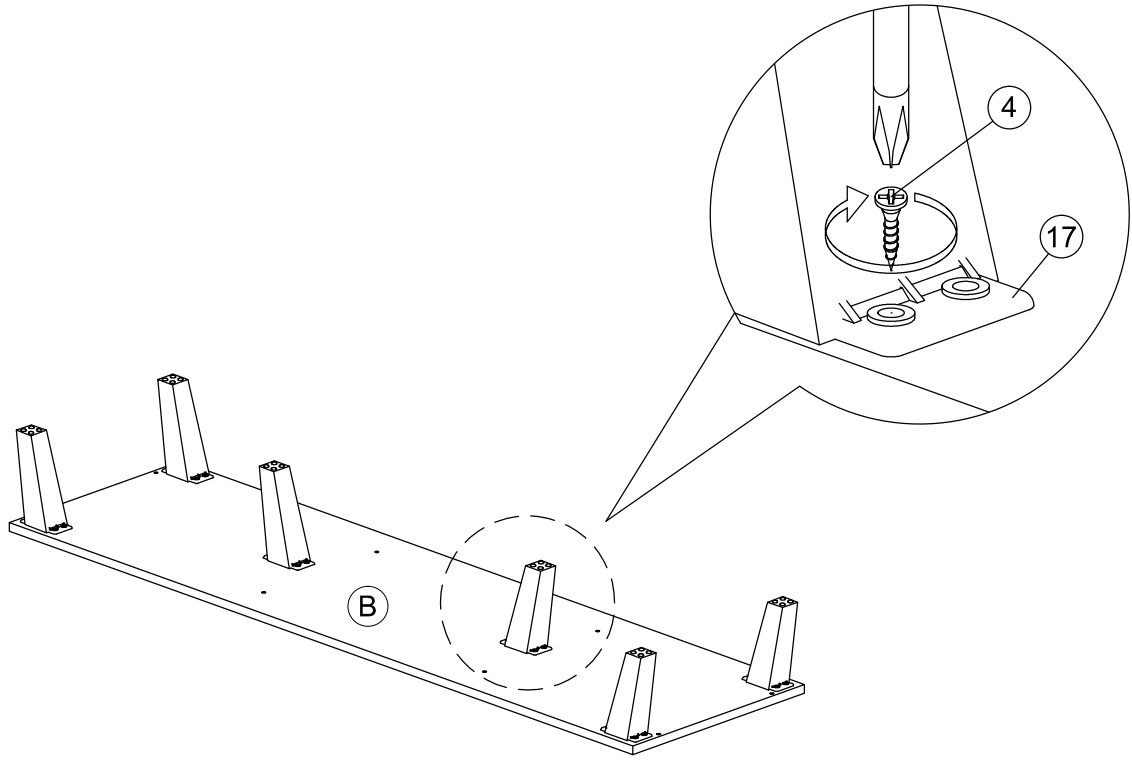


STEP 3

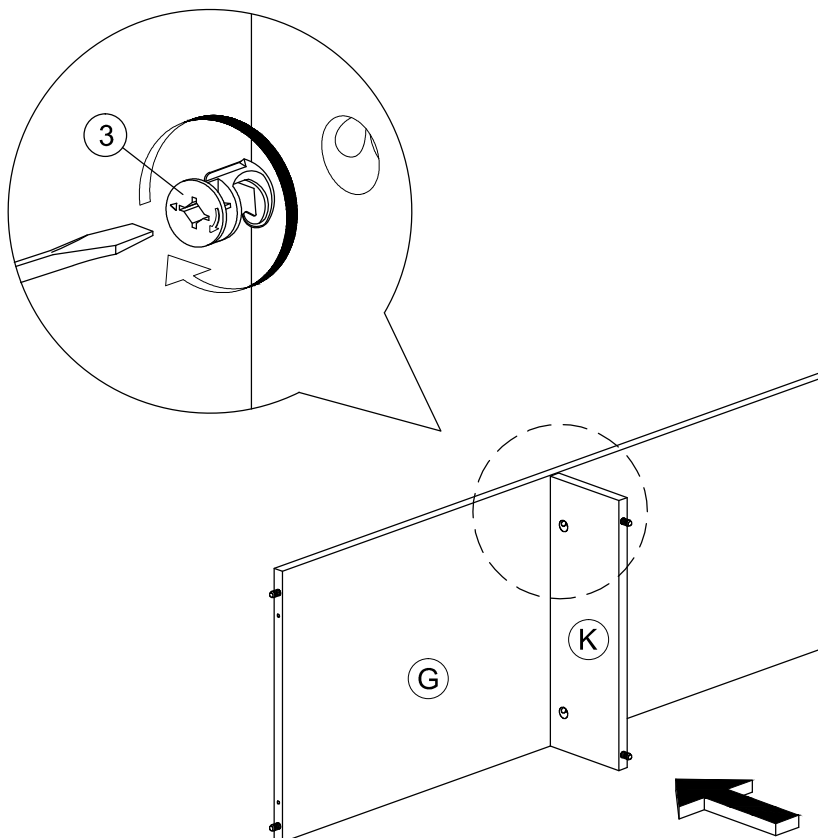


Assembly Instruction

STEP 4

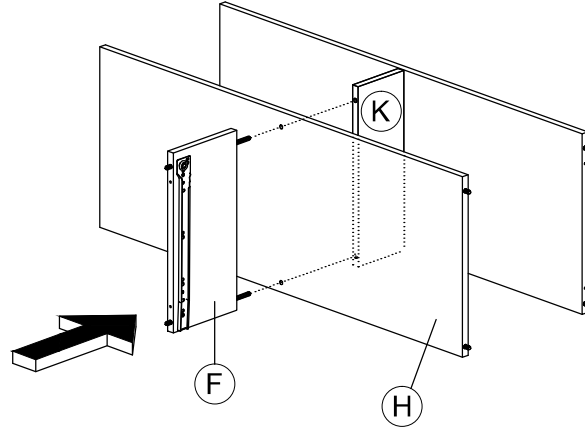


STEP 5

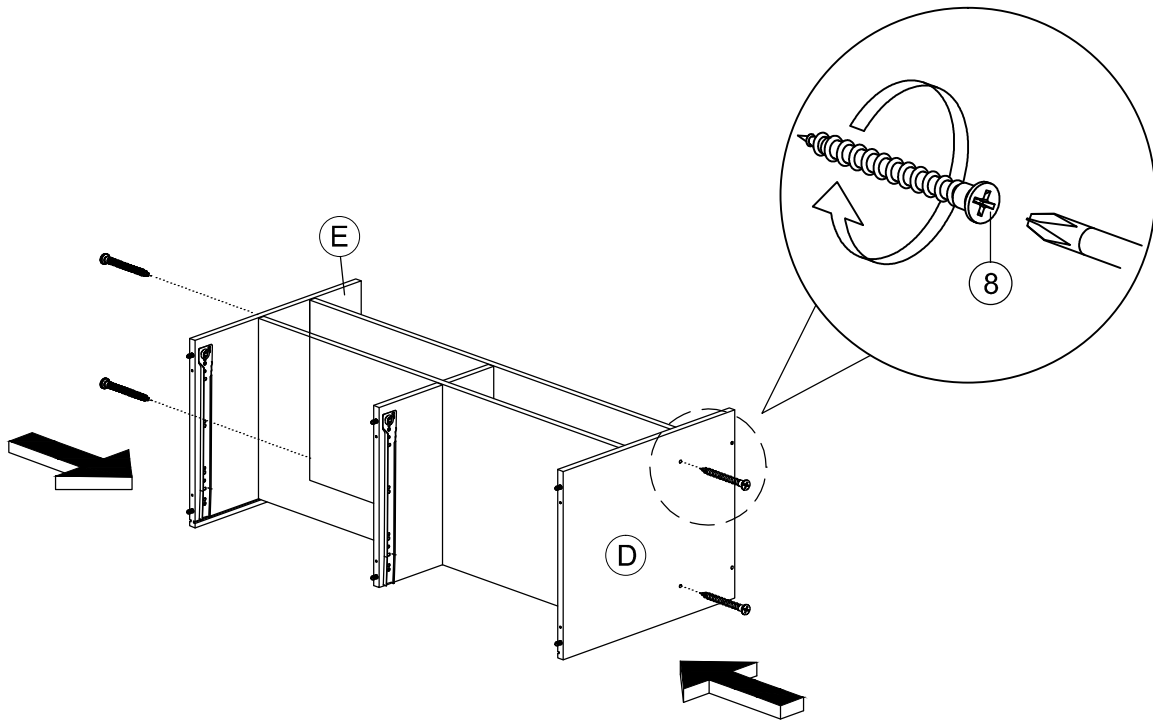


Assembly Instruction

STEP 6

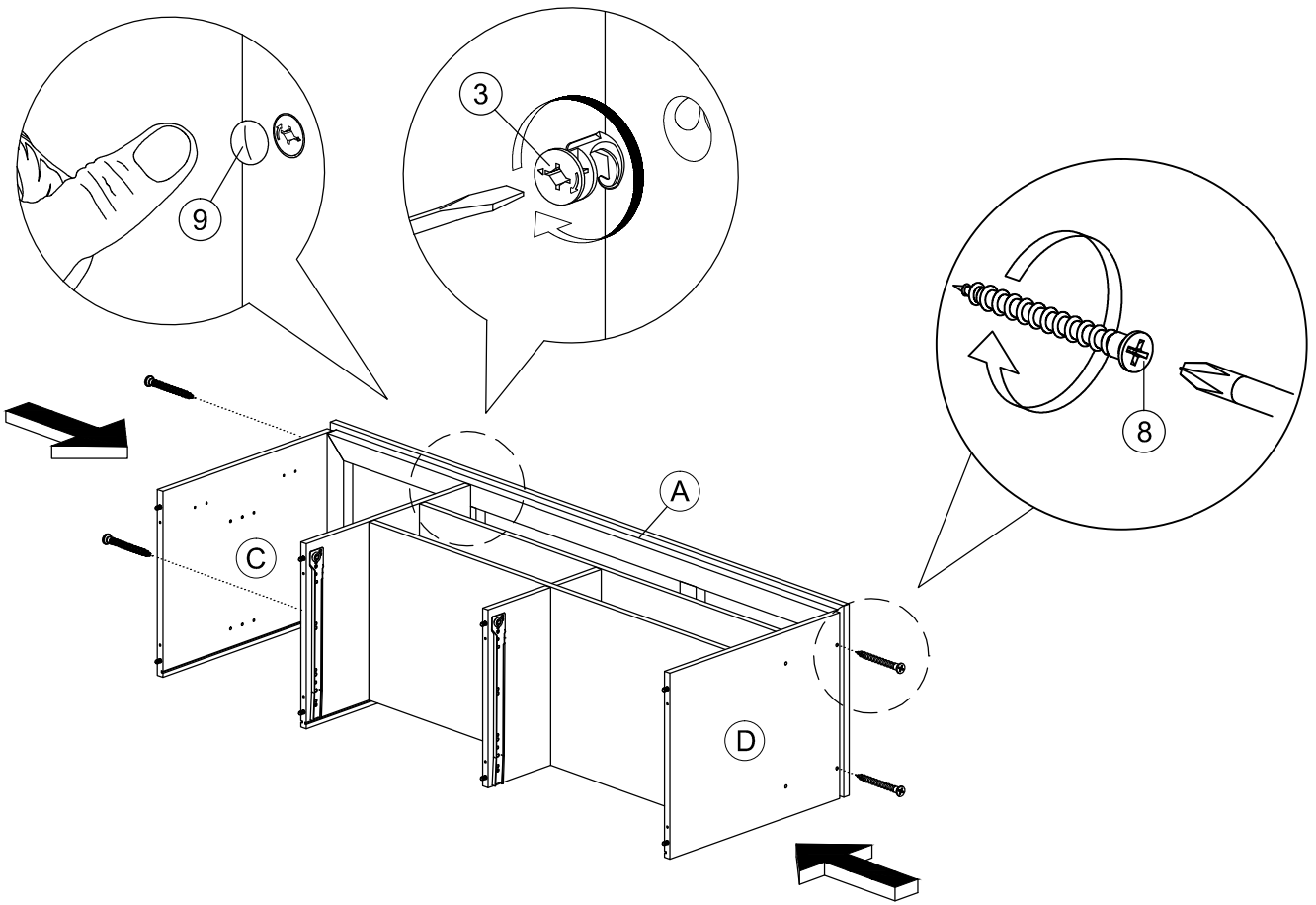


STEP 7

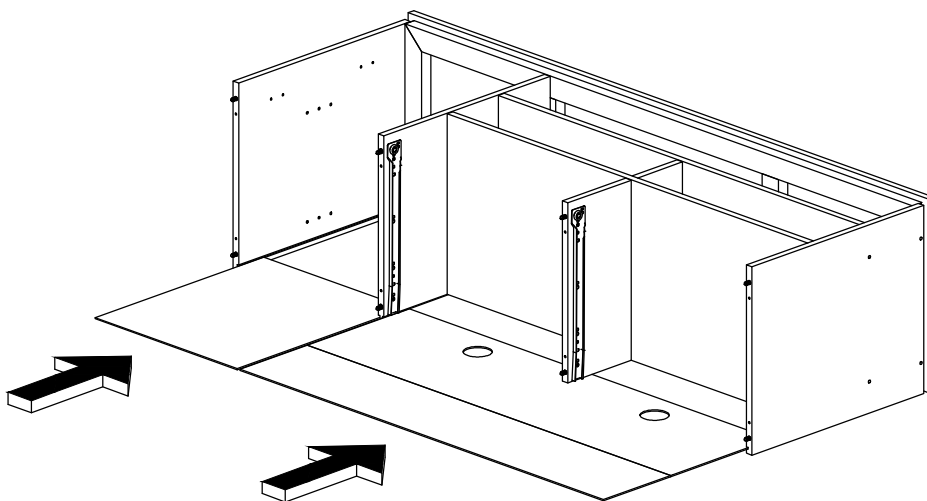


Assembly Instruction

STEP 8

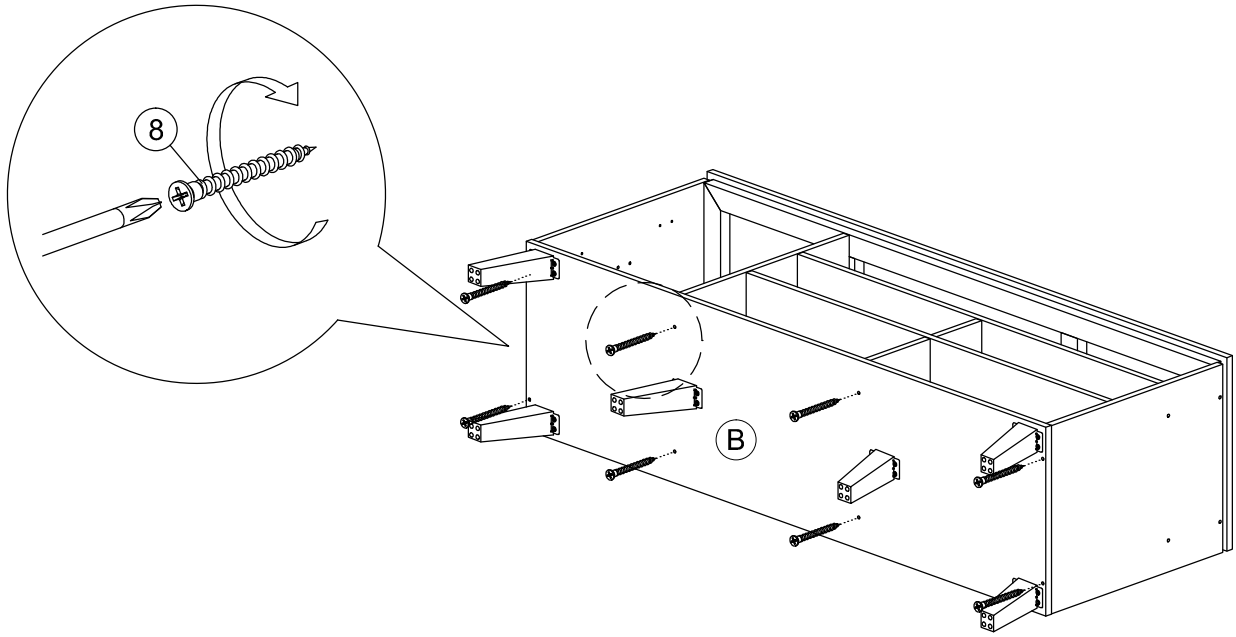


STEP 9

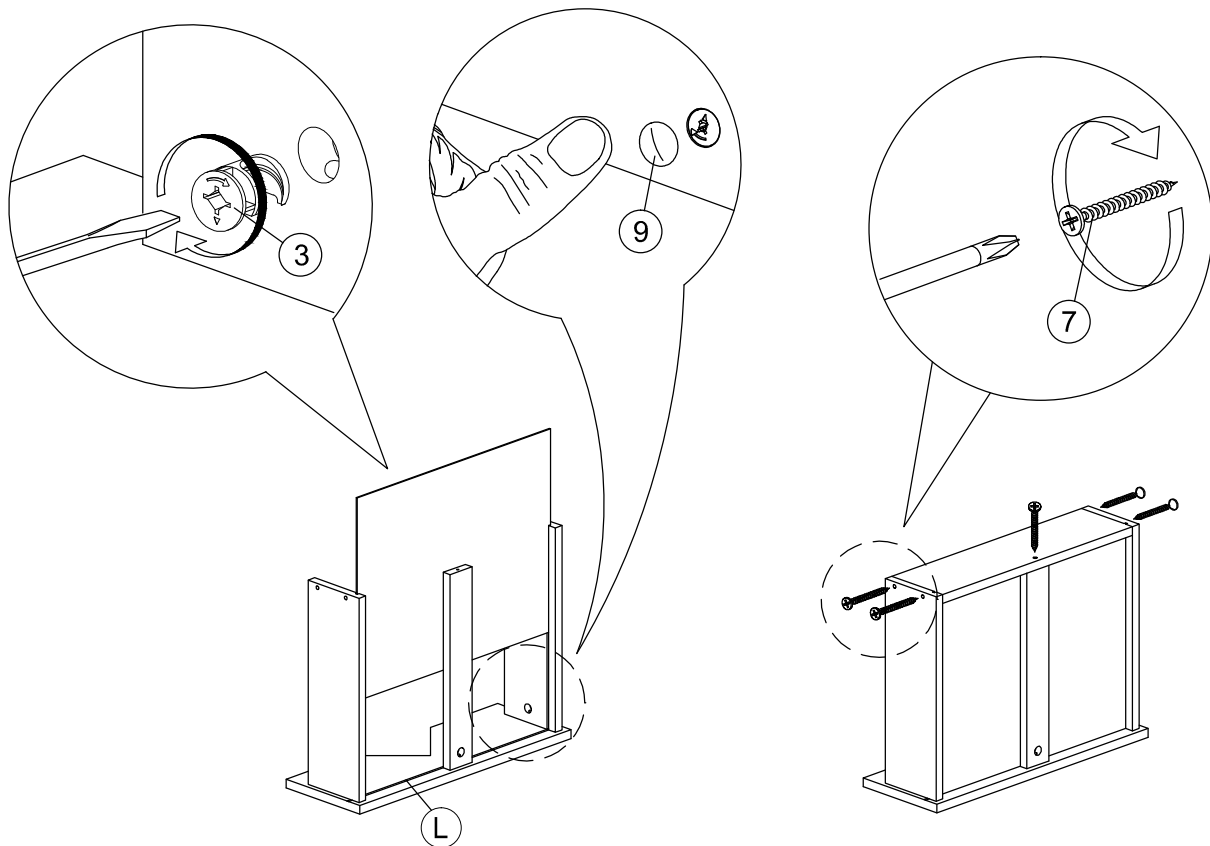


Assembly Instruction

STEP 10

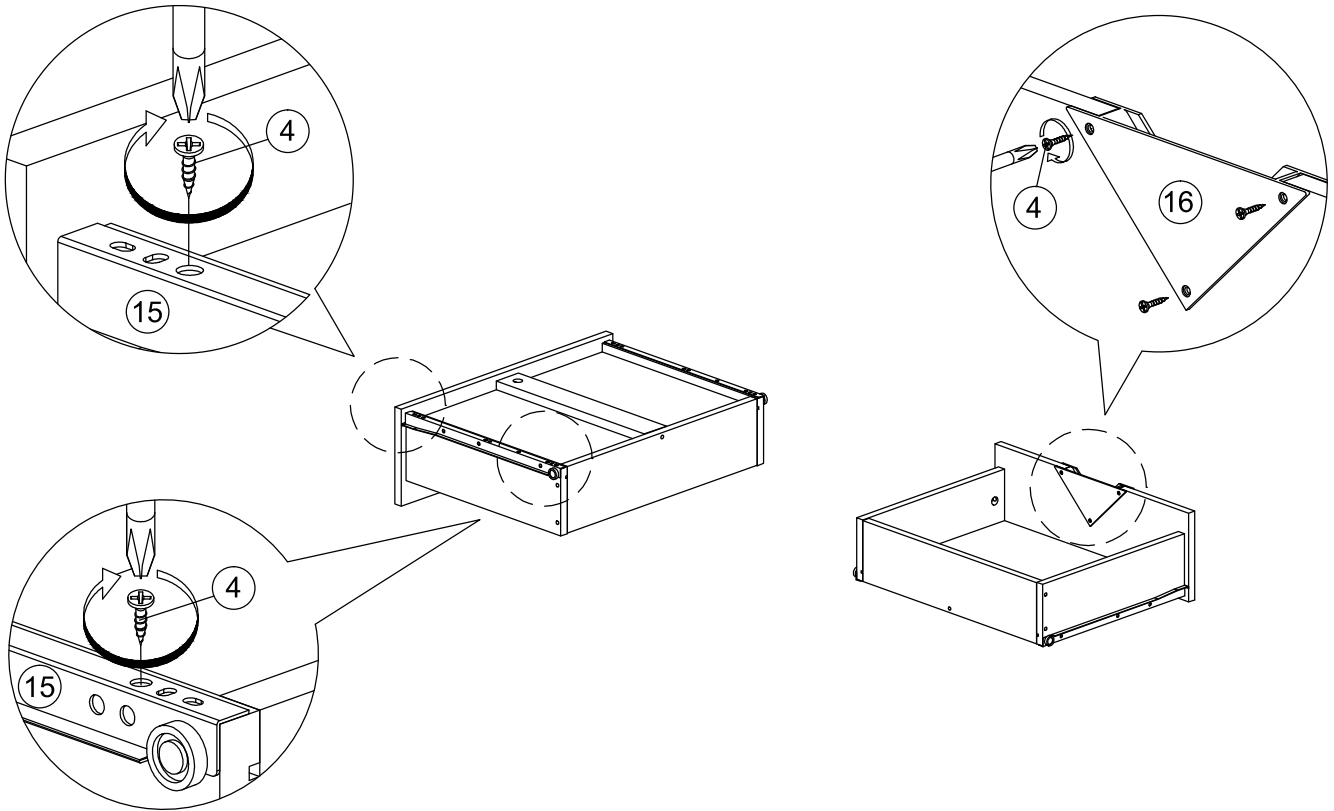


STEP 11

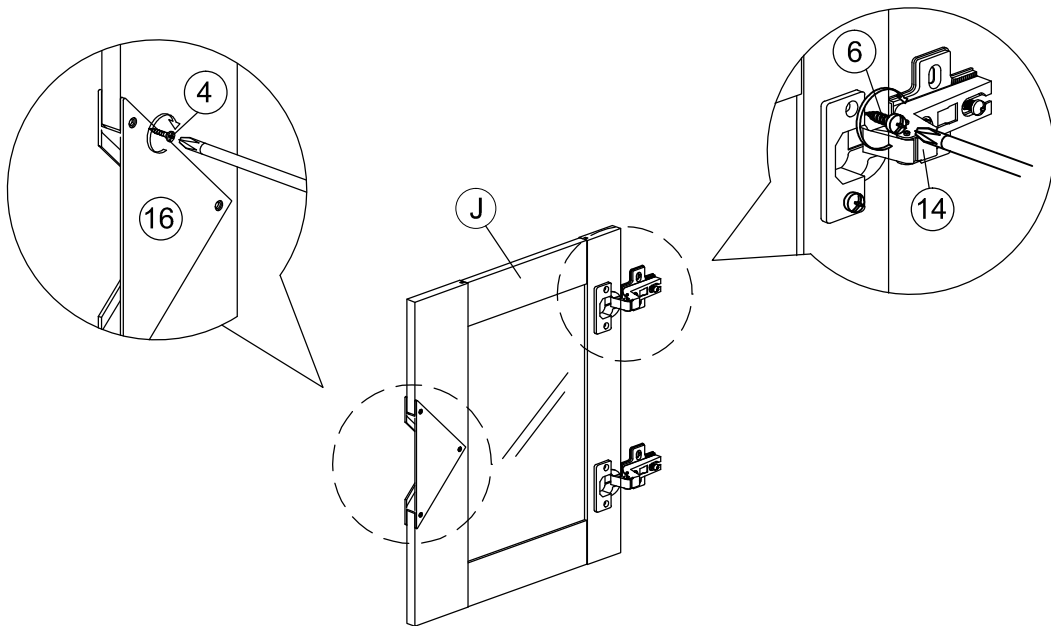


Assembly Instruction

STEP 12

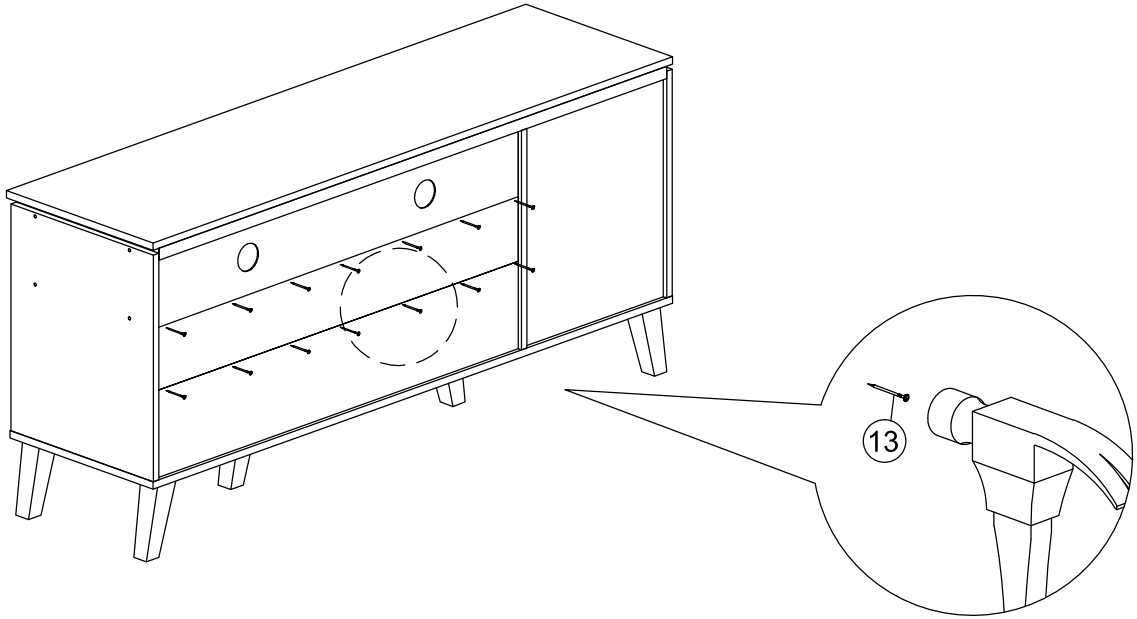


STEP 13



Assembly Instruction

STEP 14



STEP 15

